

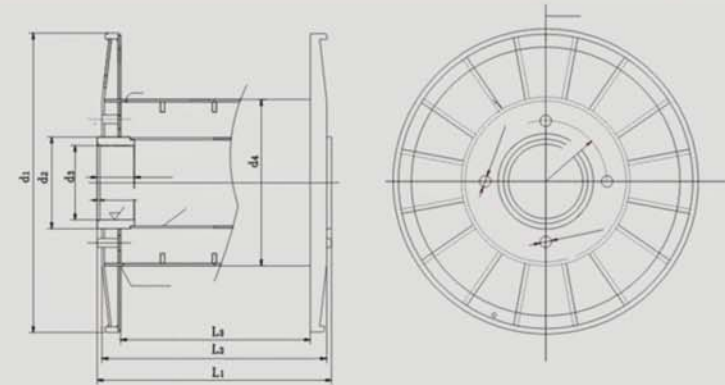
## EMF Enhanced Metal Flange Process Reel Process Reel-DIN 46395

EMF630-1250

A stronger pressed steel process, one-way or shipping reel. It is suitable for heavier cable, steel wire or rope, copper, aluminum and welding wire. Dimensions may be according to customer's specifications or the relevant international industry standards.



### EMF DIMENSIONS



- » d1 Flange diameter
- » d2 Barrel diameter
- » d3 Boss diameter
- » d4 Bore diameter
- » d5 Drive pin diameter
- » L1 Overall Width
- » L2 Traverse
- » e Drive radius

Specification	d1	d2	d3	L1	L2	Variable Size
Type						
Φ630	Φ630	Φ350	+1.00 Φ80 +0.50	444	400	d2
Φ760	Φ760	Φ408	+1.00 Φ80 +0.50	410	360	d3
Φ860	Φ860	Φ430	+1.00 Φ80 +0.50	430	380	L1
Φ1150	Φ1150	Φ780	+1.00 Φ80 +0.50	318	255	L2
Φ1250	Φ1250	Φ630	Φ80	950	800	