

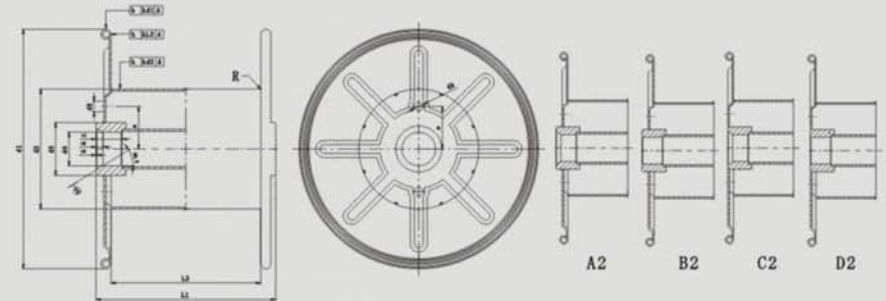
## MF Metal Flange Process Reel Process Reel-DIN 46395

MF100-1250

A pressed steel process, one-way or shipping reel. It is suitable for cable, steel wire or rope, copper, aluminum and welding wire. Dimensions may be according to customer's specifications or the relevant international industry standards.



### MF DIMENSIONS



- » d1 Flange diameter
- » d2 Barrel diameter
- » d3 Boss diameter
- » d4 Bore diameter
- » d5 Drive pin diameter
- » L1 Overall Width
- » L2 Traverse
- » e Drive radius

| Type | d1   | d2  | d3 | d4 | d5   | e   | L1  | L2    | V1 dm <sup>3</sup> |
|------|------|-----|----|----|------|-----|-----|-------|--------------------|
| 100  | 100  | 40  | 50 | 28 | 8-16 | 40  | 80  | 63    | 0.42               |
| 125  | 125  | 50  |    |    |      |     | 95  | 80    | 0.83               |
| 160  | 160  | 63  |    |    |      |     | 118 | 100   | 1.7                |
| 200  | 200  | 80  | 60 | 36 |      | 40  | 150 | 125   | 3.3                |
|      |      | 100 |    |    |      |     | 125 | 100   | 2.35               |
| 250  | 250  | 100 | 60 | 36 |      | 40  | 190 | 160   | 6.6                |
|      |      | 125 |    |    | 150  |     | 125 | 4.6   |                    |
| 315  | 315  | 125 | 60 | 36 | 40   | 236 | 200 | 13.1  |                    |
|      |      | 160 |    |    |      | 190 | 160 | 9.2   |                    |
| 355  | 355  | 140 | 60 | 36 | 40   | 265 | 224 | 18.7  |                    |
|      |      | 180 |    |    |      | 215 | 180 | 13.2  |                    |
| 400  | 400  | 160 | 60 | 36 | 40   | 300 | 250 | 26.3  |                    |
|      |      | 200 |    |    |      | 236 | 200 | 18.8  |                    |
| 450  | 450  | 180 | 60 | 36 | 40   | 335 | 280 | 37.4  |                    |
|      |      | 224 |    |    |      | 265 | 224 | 26.8  |                    |
| 500  | 500  | 200 | 60 | 36 | 40   | 375 | 315 | 51.9  |                    |
|      |      | 250 |    |    |      | 300 | 250 | 26.3  |                    |
| 560  | 560  | 224 | 60 | 36 | 40   | 236 | 200 | 18.8  |                    |
|      |      | 280 |    |    |      | 335 | 280 | 37.4  |                    |
| 630  | 630  | 250 | 60 | 36 | 40   | 475 | 400 | 105.1 |                    |
|      |      | 315 |    |    |      | 375 | 315 | 72.5  |                    |
| 710  | 710  | 355 | 60 | 36 | 40   | 530 | 450 | 133.6 |                    |
| 800  | 800  | 400 | 60 | 36 | 40   | 600 | 500 | 188.5 |                    |
| 900  | 900  | 450 | 60 | 36 | 40   | 670 | 560 | 267.2 |                    |
| 1000 | 1000 | 500 | 60 | 36 | 40   | 750 | 630 | 371.1 |                    |
| 1120 | 1120 | 560 | 60 | 36 | 40   | 850 | 710 | 524.6 |                    |
| 1250 | 1250 | 630 | 60 | 36 | 40   | 950 | 800 | 732.4 |                    |