

Inosym Reels

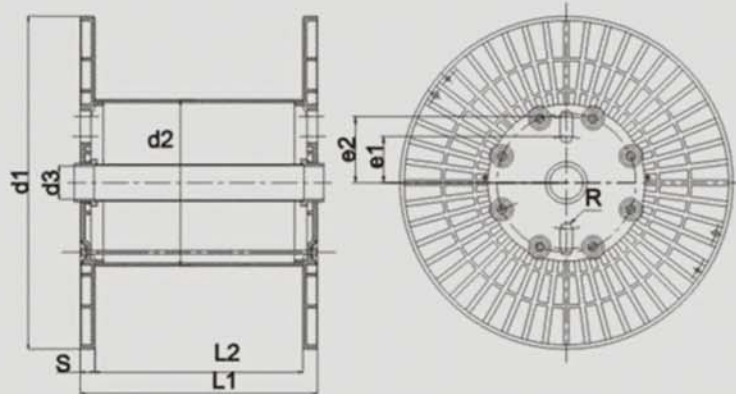
PN processing reels

Made with one hundred percent new ABS plastic material, these injection-molded reels are balanced, smooth and lightweight.

【Strengthen PN reels】

PN400-800

A lightweight alternative for processing copper, steel and alloy wire products. Like all our products they are well balanced and easy to use.



Item	Type	Structure	Material	D1	D2	D3	L2	L1	S	Drive Hole	
										r	e1-e2
1	PN400C	Assemble	ABS	400	200	56. 70	250. 280	300. 320	20	10	60-75
2	PN450C	Assemble	ABS	450	225	56	265. 280	320. 335	27.5	10	70-90
3	PN500C	Assemble	ABS	500	250	56. 127	250. 270. 315	310. 325. 375	27.5	12.5	70-97
4	PN560B	Assemble	ABS	560	315	127	315	375	27.5	10.5	90
5	PN630C	Assemble	ABS	630	315	56. 80. 127	315. 400	385. 470	35	12.5	80-130
6	PN800B	Assemble	ABS	800	400	80. 127	400. 500. 530	475. 600	35	20	114-159